

MULTIFIX SERIES



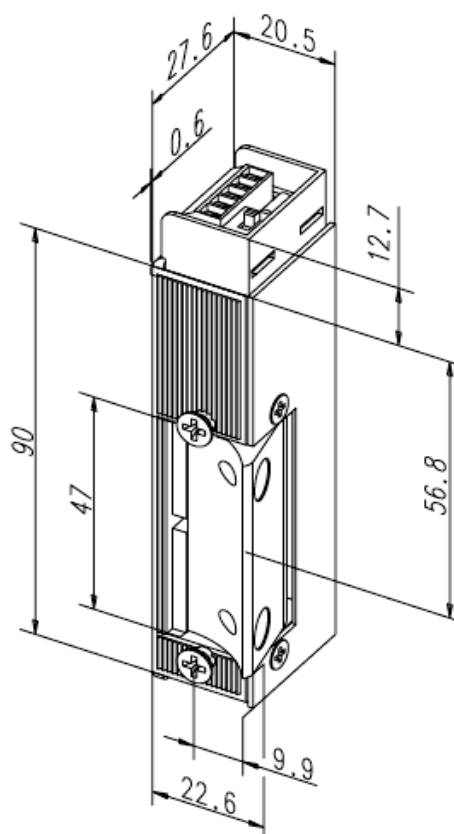
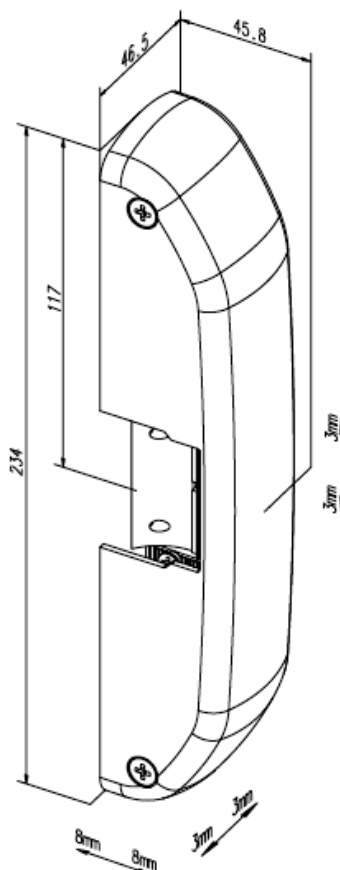
Electric door **strikes** for **surface-mounted panic door locks with horizontal actuating bar**. This new generation combines design and functionality, thanks to their multiple adjustment possibilities.

As standard this strike was supplied with low consumption coil, suppressor diode and with 12/24V changeover switch.

Available different housing colours: black, silver and white.

Technical Features

- Break-in resistance: 3.000 N
- Operating temperature range: -15°C to + 40°C
- Max. Latch preload AC: 150N
- Max. Latch preload DC: 90N
- Material housing: Die-cast zinc
- Latch material: Brass
- EC certification 



References

	Universal	Door monitoring contact	With low consumption coil	For Access Control Systems	Reference	Available Coils
Fail Secure	●		●	●	14U MULTIFIX	Q3
	●	●	●	●	14UR MULTIFIX	Q3
Hold-open function	●		●		24U MULTIFIX	Q3
Fail Safe	●		●	●	34U MULTIFIX	Q9
	●	●	●	●	34UR MULTIFIX	Q9

Available coils

(Q3) 12V or 24V AC/DC (Current consumption at 12V DC 210mA with continuous duty)

(Q9) 12V or 24V DC (Current consumption at 12V DC 200mA)



Ejemplo de Instalación

