

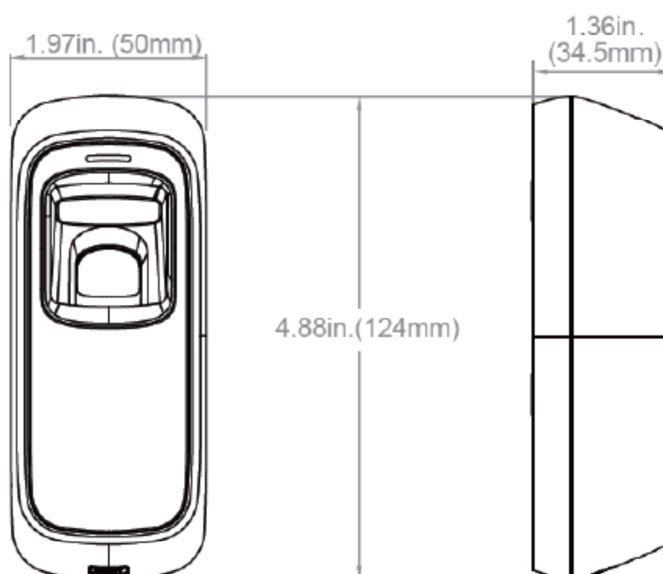
## BIOACCESS S-2000: Standalone fingerprint.

Bioaccess S-2000 is a compact access control device that is designed to fit most door frames. A metal casing, with IP65 water-proof design, makes it suitable for indoor or outdoor applications. BIOACCESS S-2000 supports 125kHz proximity cards and fingerprint identification.

It has an antivandalic fingerprint because the electronic is in a unit control independent of the reader.

### Technical data:

- Operating Voltage: DC 12V
- Work Current: 150mA
- Fingerprint Sensor: 500 dpi Optical Sensor
- RFID Card Reader: EM(125KHz)
- User Capacity: 2000
- Verification Speed < 1 Second
- Temperature: 20°C to 60°C
- Multicolor LEDs and Buzzer Operating



### Unit Control

Independent unit control for standalone readers with encrypted communication. It has one Wiegand output to connect the reader, one relay output to connect the electric lock or electric strike and one input to connect a push button.

