

9501NM SERIES

9501NMFP

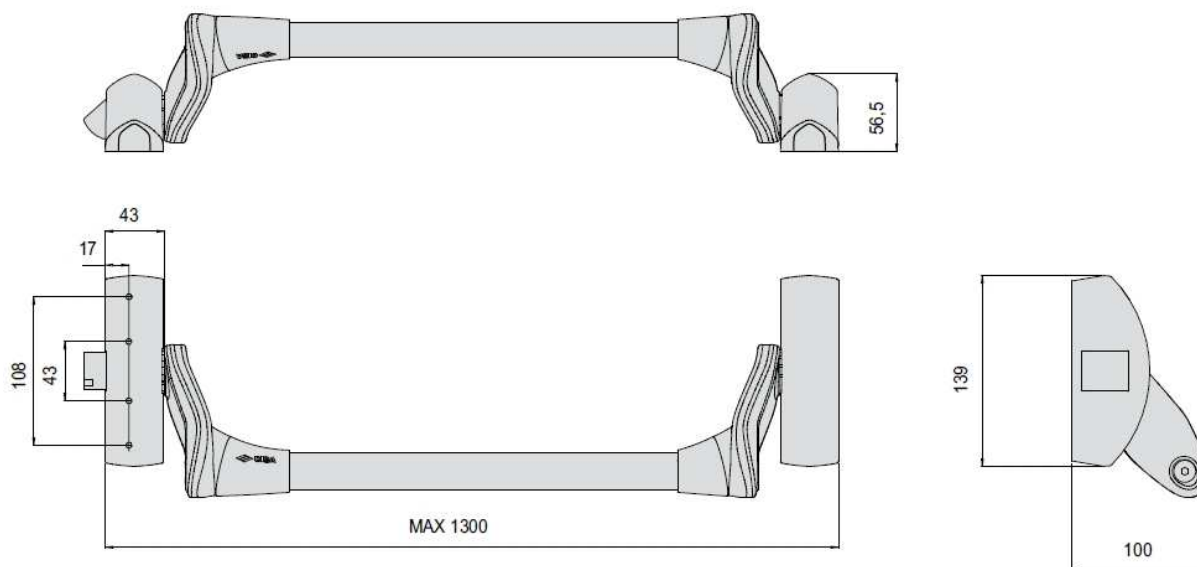
Rim version panic exit device with black aluminium alloy cover. These series have been designed for installation "as supplied" – ensuring low-cost, quick fitting. Rim version panic exit devices are characterized by a streamlined design and outstanding security. Klesco supplies solutions suitable for single or double leaf doors. The extremely wide range of available accessories enables to meet any installation requirements.

All the internal components are made in steel and can be installed in fire doors, square of 9mm. Certification according EN 1125.

Available with switch to provide notification when the bar is depressed **Ref. 9501RRNMFP**.



Dimensions



9501NMFT

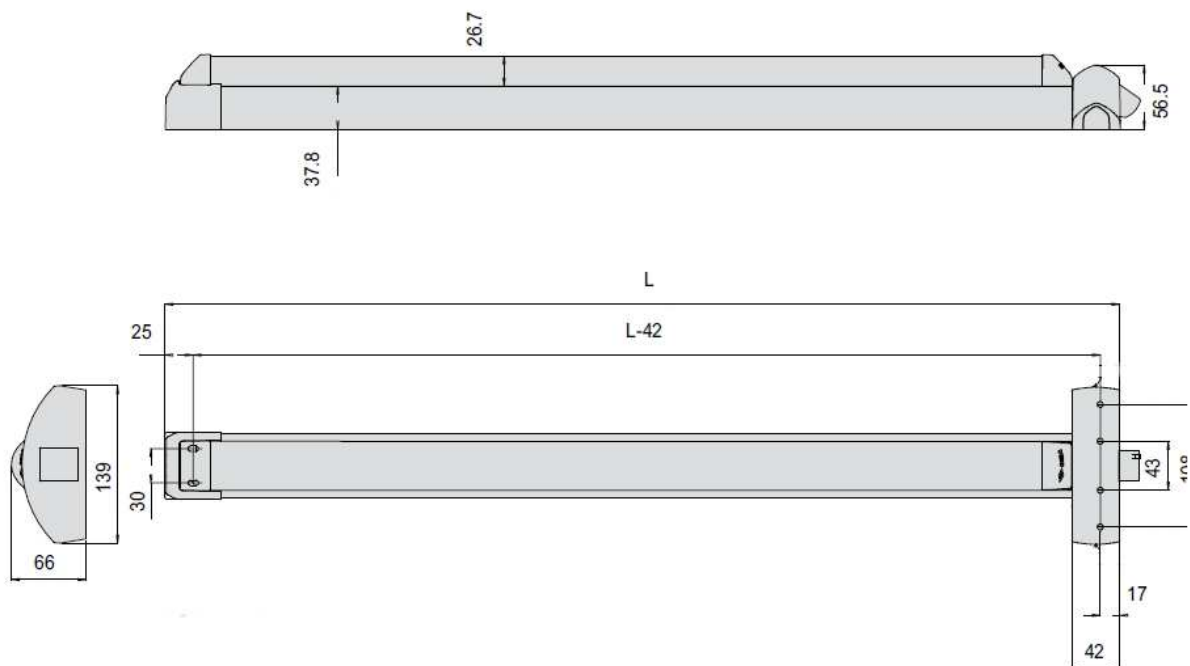
Rim version touch bar exit device with black aluminium alloy cover with these main features:

- Extremely easy and quick installation
- Highly compact design
- New, specially shaped cover ensuring a safe grip also in the door closing phase
- Certification according EN 1125
- Available a wide range of accessories to meet any installation requirements

Available with switch to provide notification when the bar is depressed **Ref. 9501RRNMFT**.



Dimensions



ACCESORIES

<p>9501NMCABFP Vertical rods</p>	 Two black vertical rods with curved ends, one shown from the front and one from the back.
<p>9501NMCABLAT Vertical rods</p>	 Two black vertical rods with different curved ends, one shown from the front and one from the back.
<p>9501NMCT Knob with integrated cylinder</p>	 A black knob with an integrated cylinder, shown from a top-down perspective.