

914U – 934U Series




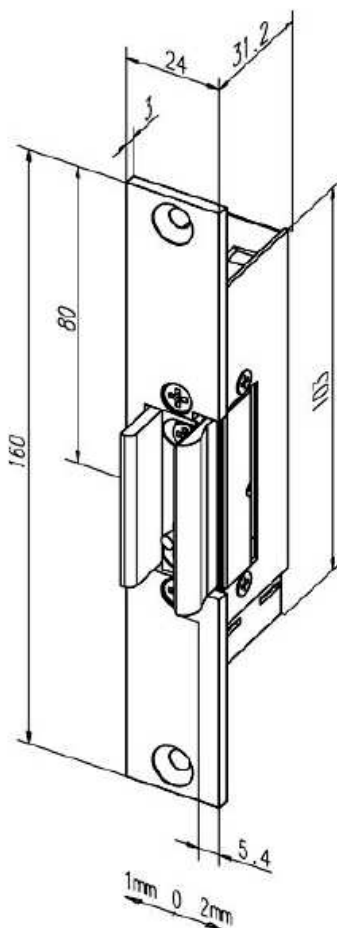
Electric strike for glass doors suitable for wooden frames or metal profiles, this electric strike enjoys a latch designed to directly "receive" the glass door, which thickness must be from 9 to 12mm.

Unlocking of the electric strike will be established by power on or off according to the model. The "Fail Secure" version integrates a security device to avoid that the electric strike closes if the door is not properly positioned.

The most important feature of this kind of electric strikes is that's not necessary to make any modification on the glass door.

Technical Features

- Break-in resistance: 3.700 N
- Glass door thickness: From 9 to 12mm
- Operating temperature range: -15°C to + 40°C
- Material housing: Die-cast zinc
- Latch material: Die-cast zinc nickel plated
- EC Certification 



References

	Universal	Door monitoring contact	Low consumption coil	For Access Control	Reference	Available Coils
Fail Secure	●		●	●	914U KL	Q3
	●	●	●	●	914UR KL	Q3
Fail Secure (With key hole for profile cylinder)					914ZY KL	D1,E3,F1,F3
			●	●	91405ZY KL	E3,F3
Fail Safe	●		●	●	934U KL	Q9
	●	●	●	●	934UR KL	Q9

Please add to the electric strike reference, the coil code.

Available coils

- (D1) 6 to 12V AC/DC (Current consumption at 12V DC 1100mA)
- (E3) 12V DC (Current consumption at 12V DC 200mA with possibility of permanent electrical unlocking)
- (F1) 24V AC/DC (Current consumption at 24V AC 370mA)
- (F3) 24V DC (Current consumption at 24V DC 105mA with possibility of permanent electrical unlocking)
- (Q3) 12 or 24V AC/DC (Current consumption at 12V DC 210mA)
- (Q9) 12 or 24V DC (Current consumption at 12V DC 200mA)

