


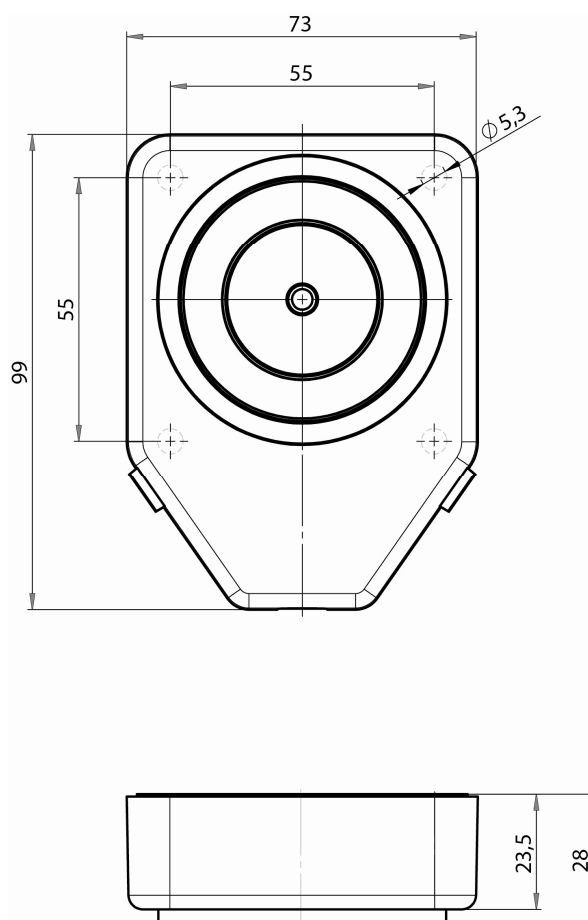


830-IS SERIES.

Holding magnet in composite housing.

Technical Features:

- Supply voltage: 24V DC
- Optionally with interrupter pushbutton
- Operating temperature range: 0°C to + 50°C
- Class of protection: IP40
- Certified in compliance with EN1155
- EC Certification 



References

Reference	Holding Power	Interrupter pushbutton	Current consumption
830-3IS	300N		20mA
830-3ISU		⊙	20mA
830-5IS	500N		25mA
830-5ISU		⊙	25mA
830-8IS	800N		45mA
838-8ISU		⊙	45mA
83012IS	1200 N		105mA
83012ISU		⊙	105mA

Available counter holding plates

