


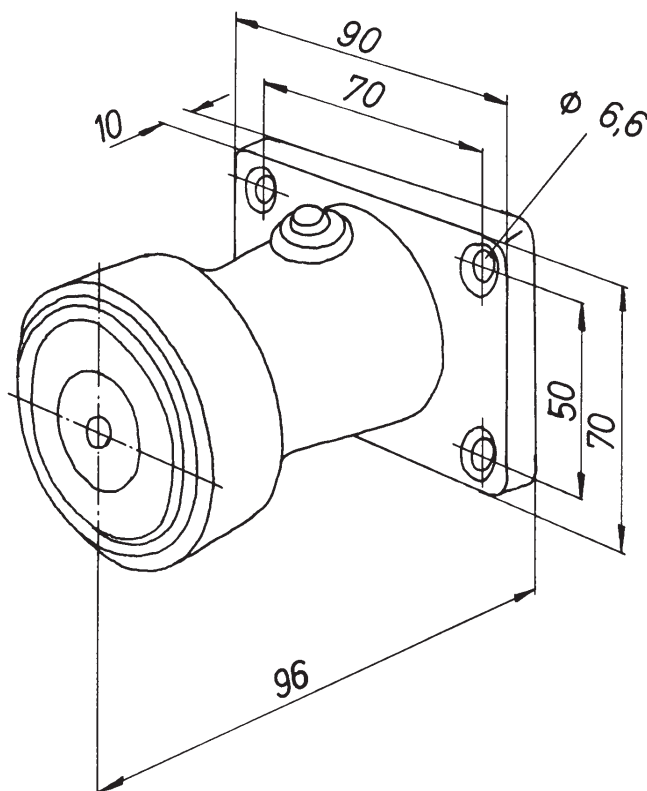


830-IGW SERIES.

Holding magnet in aluminium housing.

Technical Features

- Supply voltage: 24V DC
- Optionally with interrupter pushbutton
- Operating temperature range: 0°C to +50°C
- Class of protection: IP40
- Certified in compliance with EN1155
- EC Certification 



References

| Reference | Holding Power | Interrupter pushbutton | Current consumption |
|-----------|---------------|------------------------|---------------------|
| 830-3IGW | 300N | | 20mA |
| 830-3IGWU | | ⊙ | 20mA |
| 830-5IGW | 500N | | 25mA |
| 830-5IGWU | | ⊙ | 25mA |
| 830-8IGW | 800N | | 45mA |
| 838-8IGWU | | ⊙ | 45mA |
| 83012IGW | 1200N | | 105mA |
| 83012IGWU | | ⊙ | 105mA |

Available counter holding plates

