
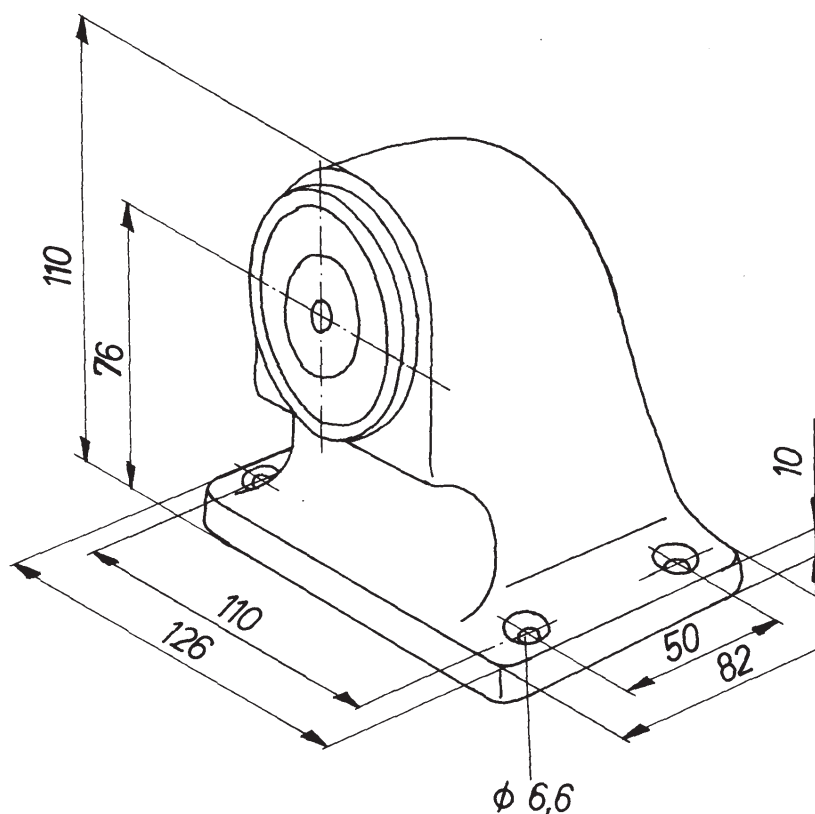


830-IGB SERIES.

Holding magnet in aluminium housing for floor mount.

Technical Features:

- Supply voltage: 24V DC
- Optionally with interrupter pushbutton
- Operating temperature range: 0°C to + 50°C
- Class of protection: IP 40
- Certified in compliance with EN1155
- EC Certification 



References

Reference	Holding Power	Interrupter pushbutton	Current consumption
830-3IGB	300N		20mA
830-3IGBU		⊙	20mA
830-5IGB	500N		25mA
830-5IGBU		⊙	25mA
830-8IGB	800N		45mA
838-8IGBU		⊙	45mA
83012IGB	1200 N		105mA
83012IGBU		⊙	105mA

Available counter holding plates

