
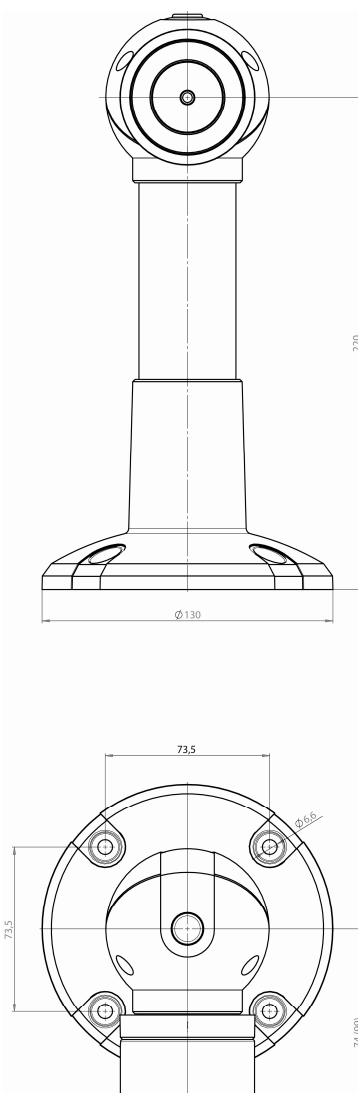
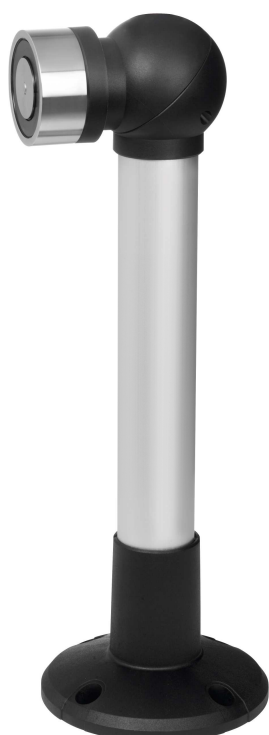


## 830-BW SERIES.

Holding magnet with spacer. Convertible for wall or floor mounting.

### Technical Features:

- Supply voltage: 24V DC
- Optionally with interrupter pushbutton
- Operating temperature range: 0°C to + 50°C
- Class of protection: IP40
- Certified in compliance with EN1155
- EC Certification 



## References

Reference	Holding Power	Interrupter pushbutton	Current consumption
830-3BW <sup>X1</sup>	300N		20mA
830-3BW <sup>XU1</sup>		⊙	20mA
830-5BW <sup>X1</sup>	500N		25mA
830-5BW <sup>XU1</sup>		⊙	25mA
830-8BW <sup>X1</sup>	800N		45mA
838-8BW <sup>XU1</sup>		⊙	45mA
83012BW <sup>X1</sup>	1200 N		105mA
83012BW <sup>XU1</sup>		⊙	105mA

(1) X=1 spacer of 190mm, X=2 spacer of 300mm y X=3 spacer of 430mm

## Available counter holding plates

<p>830-H1</p>		
<p>830-H2</p>		