

7 SERIES

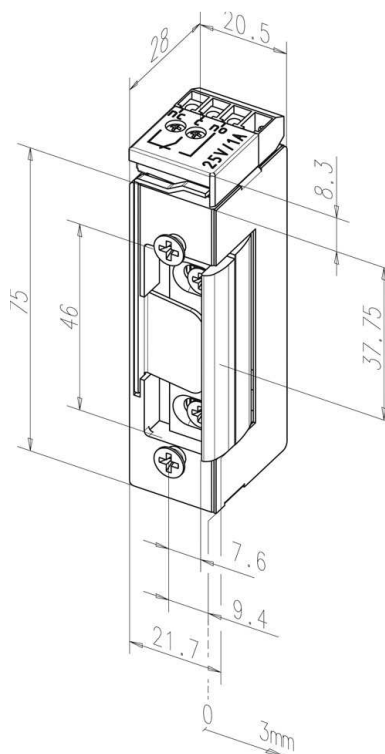
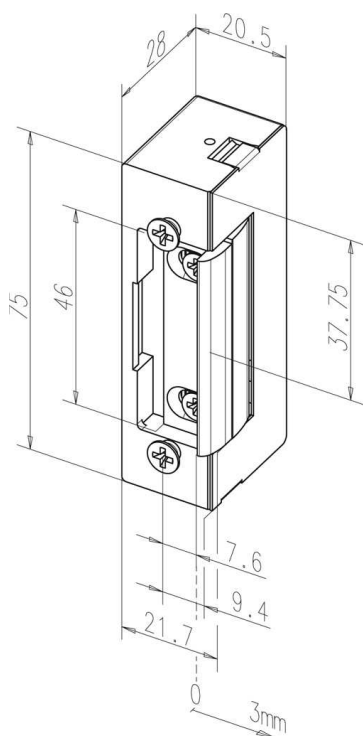


Universal electric strike **with symmetrical design**, can be used DIN right and left, with "FAFIX" latch adjustment.

Don't forget known extras such as a monitoring contact, hold-open function and actuating lever are possible. Both fail secure and fail safe modes of operation are available.

Technical Features:

- Break-in resistance: 3.500 N
- Symmetrical design
- Latch adjustment "Fafix"
- Operating temperature range: -15°C to + 40°C
- Max. latch preload AC operation: 150N
- Max. latch preload DC operation: 90N
- Material housing: Die-cast zinc
- Latch material: Brass
- EC certification 



References

| | Universal | Door monitoring contact | Suppressor diode | For Access Control Systems | Reference | Available Coils |
|---|-----------|-------------------------|------------------|----------------------------|-----------|-----------------|
| Fail Secure | ● | | | | 17 | R1,E4,F1,F4 |
| | ● | ● | | | 17RR | R1,E4,F1,F4 |
| | ● | | ● | ● | 1705 | E4,F4 |
| | ● | ● | ● | ● | 1705RR | E4,F4 |
| Fail Secure (with mechanical unlocking) | ● | | | | 17E | R1,E4,F1,F4 |
| | ● | ● | | | 17RRE | R1,E4,F1,F4 |
| | ● | | ● | ● | 1705E | E4,F4 |
| | ● | ● | ● | ● | 1705RRE | E4,F4 |
| Hold-open function | ● | | | | 27 | R1,E4,F1,F4 |
| Hold-open function (with mechanical unlocking) | ● | | | | 27E | R1,E4,F1,F4 |
| Fail Safe | ● | | | ● | 37 | E9,F9 |
| | ● | ● | | ● | 37RR | E9,F9 |
| | ● | | ● | ● | 3705 | E9,F9 |
| | ● | ● | ● | ● | 3705RR | E9,F9 |

Please add to the electric strike reference, the striking plate and coil.

Striking Plates

HZ Grey (Flat striking plate; 250mm long; For latch bolt locks with deadbolt; Grey finishing)

HZ Inox (Flat striking plate; 250mm long; For latch bolt locks with deadbolt; Stainless Steel finishing)

KL Grey (Flat striking plate; 130mm long; For latch bolt locks without deadbolt; Grey finishing))

KL Inox (Flat striking plate; 130mm long; For latch bolt locks without deadbolt; Stainless Steel finishing)

Available Coils

(R1) 8-16V AC/DC (Current consumption at 12V AC 470mA)

(E4) 12V DC (Current consumption at 12V DC 270mA; continuous duty)

(E9) 12V DC (Current consumption at 12V DC 235mA)

(F1) 24V AC/DC (Current consumption at 24V DC 410mA)

(F4) 24V CC (Current consumption at 24V DC 120mA; continuous duty)

(F9) 24V CC (Current consumption at 24V DC 150mA)