


## 331U SERIES

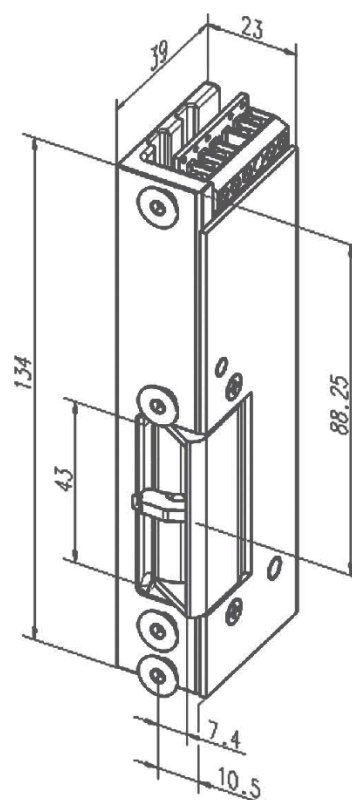
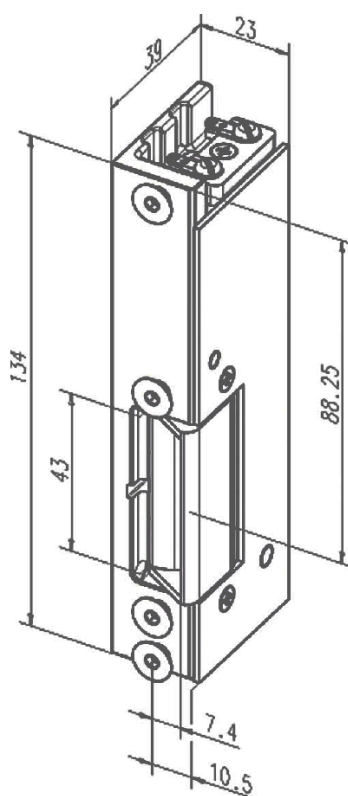


**Electric strike with “Fail Safe” function, specially designed to be used for locking doors in escape routes.** As a result of its reliable unlocking under pre-load, max. 5.000N, this security strike is also used in interlocking systems, on soundproofed doors and on doors where pressure on the keeper is expected due to the structural design.

Available a wide range of models, with different options: Door monitoring contact, “Fafix” adjustment, armature monitoring contact, etc...

### Technical Features

- Break-in resistance: 7.500 N
- Independent mounting position (vertical/horizontal)
- Operating temperature range: -15°C to + 40°C
- Max. Latch preload DC: 5.000N
- Material housing: Steel precision-casting
- Latch material: Steel precision-casting
- EC certification 



## References

	Latch adjustment "Fafix"	Door monitoring contact	Suppressor diode	For Access Control Systems	Reference	Available Coils
Fail Safe			●	●	331U	E9,F9
		●	●	●	331UR	E9,F9
	●		●	●	331UF	E9,F9
	●	●	●	●	331URF	E9,F9
		●	●	●	331U80*	E9,F9
	●	●	●	●	331U80F*	E9,F9

\* These models integrate armature monitoring contact

Please add to the electric strike reference, the striking plate and coil

## Striking plates

HZ Grey (Flat striking plate; 280mm long; For latch bolts with deadbolt; Grey finishing)

HZ Inox (Flat striking plate; 280mm long; For latch bolts with deadbolt; Stainless Steel finishing)

KL Grey (Flat striking plate; 200mm long; For latch bolts without deadbolt; Grey finishing)

KL Inox (Flat striking plate; 200mm long; For latch bolts without deadbolt; Stainless Steel finishing)

## Available Coils

(E9) 12V DC (Current consumption at 12V DC 320mA)

(F9) 24V DC (Current consumption at 24V DC 160mA)

## DIN direction

