
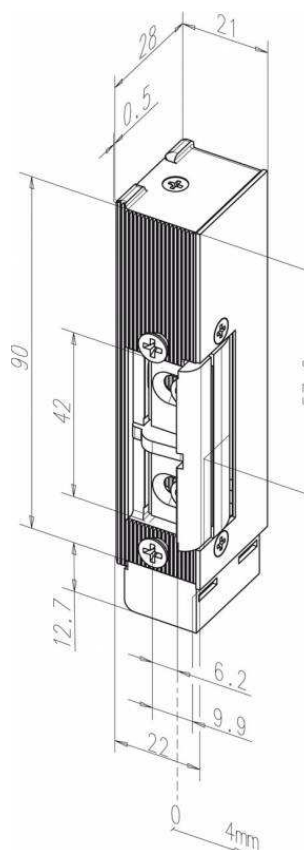
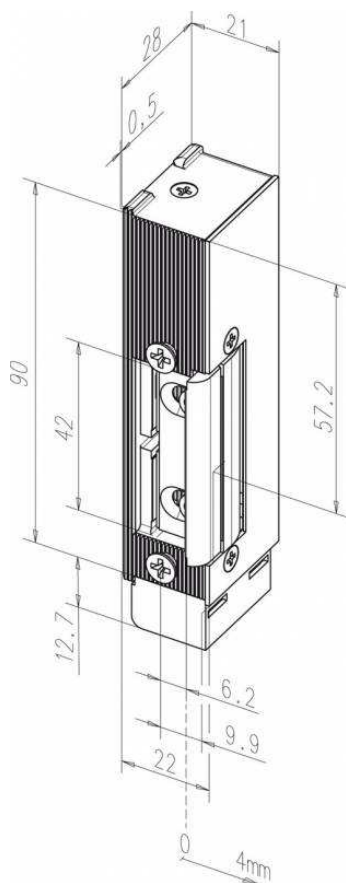


142 SERIES.

Electric strike **certified for fire doors**, with latch adjustment "Fafix". Available with monitoring contact.

Technical Features:

- Break-in resistance: 6.500 N
- Voltage: 12/24V AC/DC continuous duty
- Independent mounting position (vertical and horizontal)
- Operating temperature range: -15°C to + 40°C
- Max. Latch preload AC: 50 N
- Max. Latch preload DC: 20N
- Material housing: Steel precision-casting
- Latch material: Steel precision-casting
- EC certification 
- Certified for fire doors according to test number P-120003624





References

	Universal	Door monitoring contact	Suppressor diode	For Access Control	Reference	Available Coils
Fail Secure	●		●	●	142U	Q3
	●	●	●	●	142UR	Q3
Fail Safe	●		●	●	342U	Q9
	●	●	●	●	342UR	Q9

Please add to the electric strike reference, the striking plate and coil

Striking plates

HZ GREY (Flat striking plate; 250mm long; For latch bolts with deadbolt; Grey finishing)

HZ EST (Flat striking plate; 250mm long; For latch bolts with deadbolt; Stainless Steel finishing)

KL GREY (Flat striking plate; 160mm long; For latch bolts without deadbolt; Grey finishing)

KL EST (Flat striking plate; 160mm long; For latch bolts without deadbolt; Stainless Steel finishing)

Available coils

(Q3) 12/24 V AC/DC (Current consumption at 12V DC 210mA, at 24V DC 105mA)

(Q9) 12/24 V AC/DC (Current consumption at 12V DC 220mA, a 24VCC 110mA)